

Cat.5e 16Ports Patch Panel (UTP)

Performance :
 Meets Cat.5e EIA/TIA 568B.1 Standard.

Materials:

- Panel : Metallic Panel (SPCC)
- Plastic Body : Fireproof ABS UL-94V0
- RJ-45 Jack : Housing-PBT / 8P8C 50 micro inches gold plated
- PCB : FR-4 / 1.6mm UL-94V0
- IDC Body : Fireproof ABS UL-94V0
- IDC Pin : Bronze & Tinned -

Label Color Code : T568 A

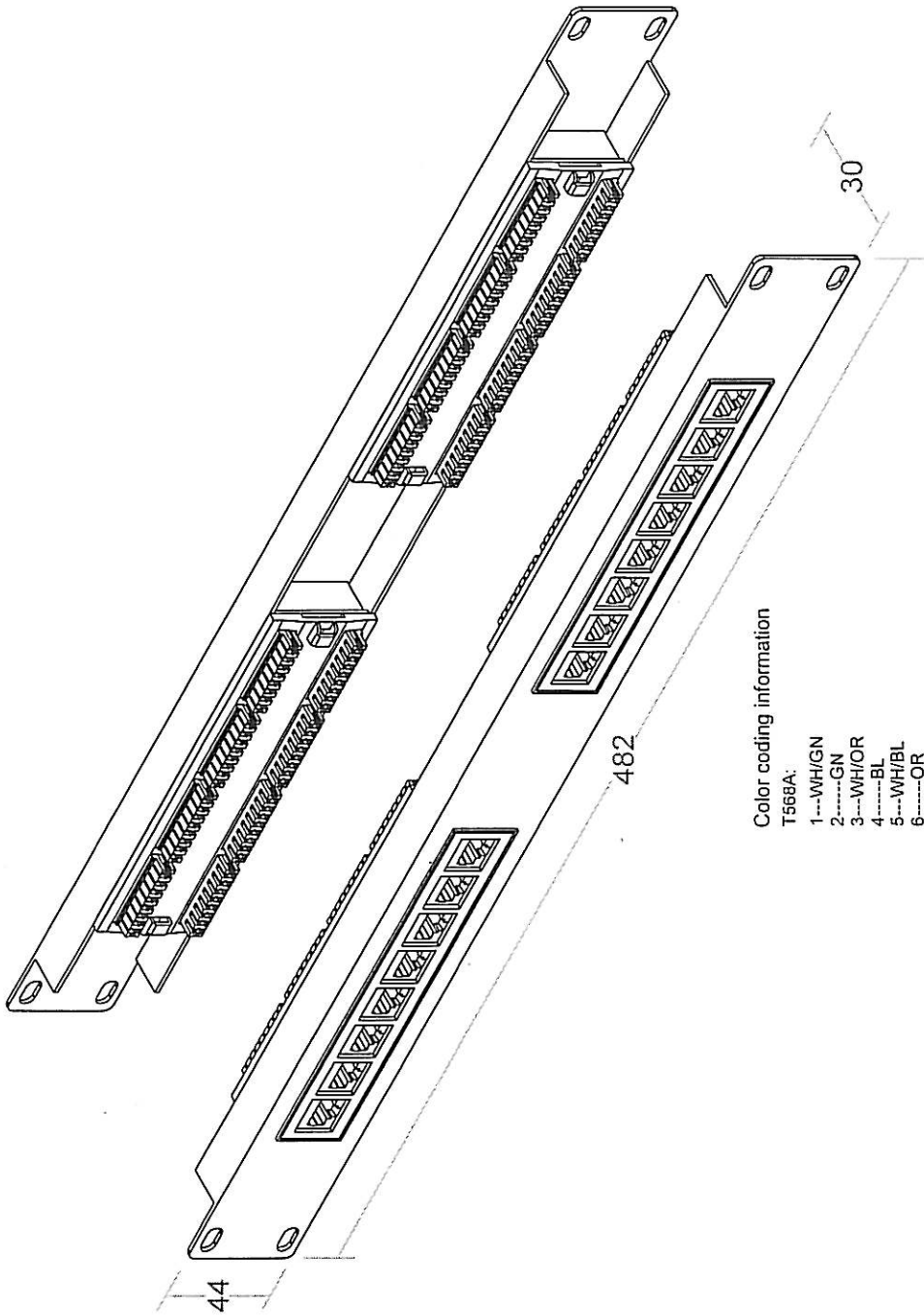
IDC Description : For 22-26 AWG.
 For 110 or Krone punch-down Tool

Electrical Specifications :

- Insulation Resistance : 500M ohms (min.)
- Contact Resistance : 20m ohms (max.)
- Current Rating : 1.5 Amps .
- DC Resistance : 0.1 ohm (max.)
- Withstanding Voltage : 1000 VAC RMS @ 60Hz / 1 min.


Mechanical Specifications:


- IDC Punch Down Cycle : Over 250 Cycles (min.)
- RJ-45 Jack Insertion Cycle : Over 2000 Cycles (min.)
- Operation Temperature : -40 ~ +70 degree / C



Color coding information
 T568A:
 1---WH/GN
 2---GN
 3---WH/OR
 4---BL
 5---WH/BL
 6---OR
 7---WH/BR
 8---BR

Marking:
 Printed Letter:

Cat.5e  **AMDEX**
 N3674

DRAW NO:	ITEM NO:	DA212
 APPR	G.O.	CUSTOMER:
UNIT: m/m	CHECK	PE P/N:
SCALE:	DATE	TOLERANCE: ± 1 · X ± 0.2 · XX ± 0.15