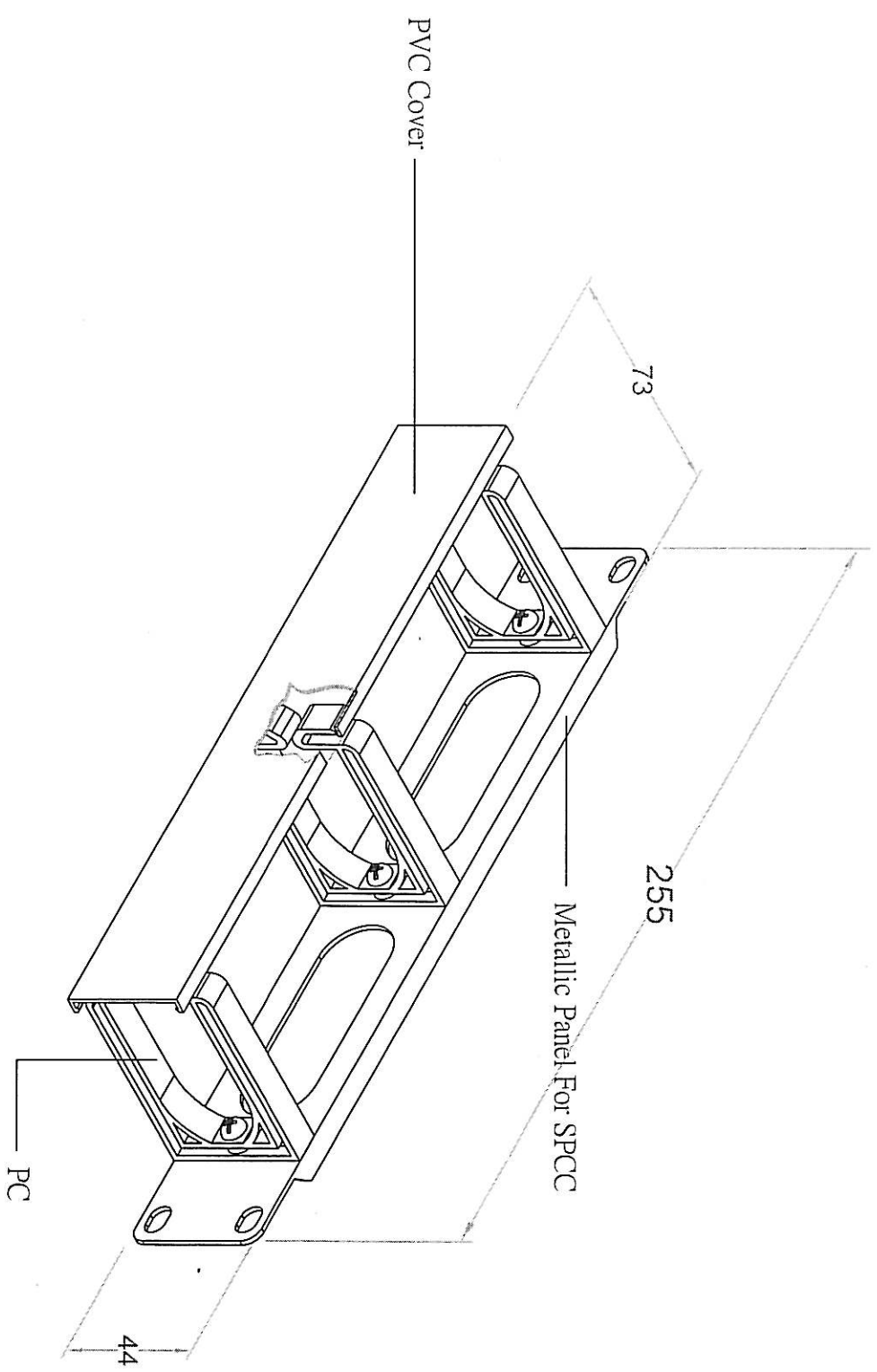


10"-1U Cable Manager



DRAWN NO:	APPR	G.O.	ITEM NO:	DA10-207
UNIT: m/m	CHECK		CUSTOMER:	
SCALE: DESIGN	DESIGN		DATE:	