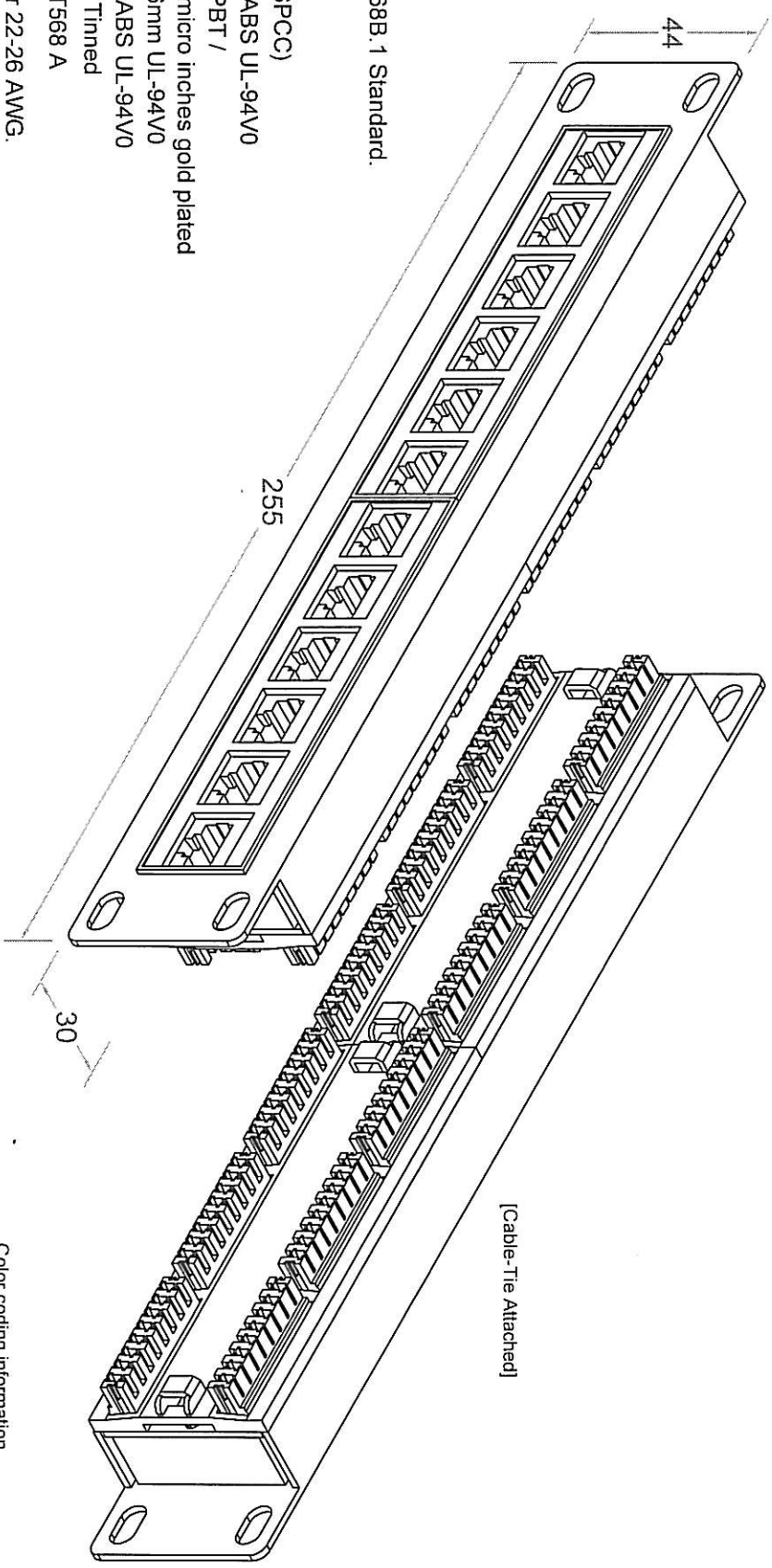


Cat.5e 12Port 10" Patch Panel (UTP) / Dual Type



Performance:

Meets Cat.5e EIA/TIA 568B.1 Standard.

Materials:

- Panel : Metallic Panel (SPCC)
- Plastic Body : Fireproof ABS UL-94V0
- RJ-45 Jack : Housing-PBT / 8P8C 50 micro inches gold plated
- PCB : FR-4 / 1.6mm UL-94V0
- IDC Body : Fireproof ABS UL-94V0
- IDC Pin : Bronze & Tinned
- Label Color Code : T568 A

IDC Description : For 22-26 AWG.

For 110 or Krone punch-down Tool

Electrical Specifications:

- Insulation Resistance : 500M ohms (min.)
- Contact Resistance : 20m ohms (max.)
- Current Rating : 1.5 Amps.
- DC Resistance : 0.1 ohm (max.)
- Withstanding Voltage : 1000 VAC RMS @ 60Hz / 1 min.

Mechanical Specifications:

- IDC Punch Down Cycle : Over 250 Cycles (min.)
- RJ-45 Jack Insertion Cycle : Over 2000 Cycles (min.)
- Operation Temperature : -40 ~ +70 degree / C

Marking:

Printed Letter:

Cat.5e



AMDEX



N3674

Color coding Information

- T568A:
- 1---WH/GN
 - 2---GN
 - 3---WH/OR
 - 4---BL
 - 5---WH/BL
 - 6---OR
 - 7---WH/BR
 - 8---BR

DRAW NO:		ITEM NO:	DA10-12P-C5E
UNIT:	APPR	CHECK	G.O.
SCALE:	DATE:	TOLERANCE:	· ± 1 · X ± 0.2 · XX ± 0.15